

MICRO SWITCH

FREEPORT, ILLINOIS, U.S.A.
A DIVISION OF HONEYWELL

FED. MFG. CODE 9192B

SWITCH-ENCLOSED

CATALOG LISTING
BZE6-2RN-S

BZE6-2RN-S

M

DRAWING NUMBER

ISSUE 7

REPLACES

RELEASE NO. PR-14354

CHECK

PSR 29AUG07

CHECK

ROB

CHECK

ROB

CHECK

ROB

CHECK

CEL

CHECK

ROB

REVISIONS

A	072476	MAN	4 SEP 92
B	77179A	KDR	17 FEB 94
C	0017057	VKR	22 NOV 05
D	0023923	RKP	23 AUG 06
E	0025947	SPK	02 NOV 06
F	0033014	BS	29 AUG 07

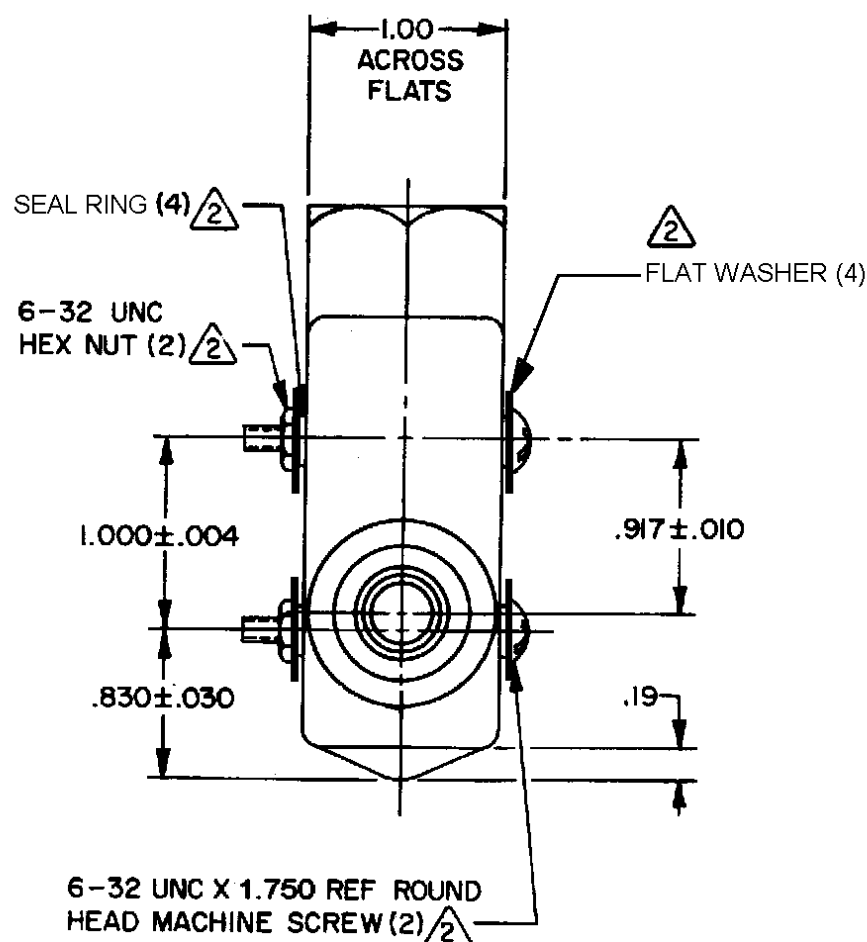
DRAWN
FO-52851-B

THIS DRAWING COVERS A PROPRIETARY ITEM AND IS THE PROPERTY OF MICRO SWITCH, A DIVISION OF HONEYWELL. THIS DRAWING IS NOT TO BE COPIED OR USED WITHOUT THE APPROVAL OF MICRO SWITCH.

CHARACTERISTICS	
OPERATING FORCE	9-24 OZ
RELEASE FORCE	4 OZ MIN
DIFFERENTIAL TRAVEL	.002 MAX
OVERTRAVEL	.219 MIN
BASIC SWITCH REPLACEMENT	BZ-2RQ77

ELECTRICAL DATA	
CONTACT ARRANGEMENT S P D T	
L74	
15A 125, 250, OR 480VAC 2A 600 VAC	
1/8 HP 125 VAC, 1/4 HP 250 VAC	
1/2A 125 VDC, 1/4A 250 VDC	
CE 1.5A, 240Vac	

SCALE	FULL		
DO NOT SCALE PRINT			
TOLERANCES			
APPLY TO DESIGN UNITS. CONVERSIONS ARE ONLY FOR REFERENCE. UNLESS NOTED, TOLERANCES ARE ±			
DIM.	TOL.	DIM.	TOL.
mm	mm/in	in	mm/in
NO PLACES	X	1/54	
ONE PLACE	X,X	0.4/018	X X 0.8/03
TWO PLACES	X,XX	0.15/006	X XX 0.38/018
THREE PLACES	X,XXX		X,XXX 0.13/009
ANGLES			
DESIGN UNITS	<input type="checkbox"/> SI METRIC	<input checked="" type="checkbox"/> US CUSTOMARY	
THIRD ANGLE PROJECTION			
WEIGHT		.56 LB	



ELASTOMER PLUNGER SEAL SECURED TO COMPONENTS BY EXTERNAL BANDING

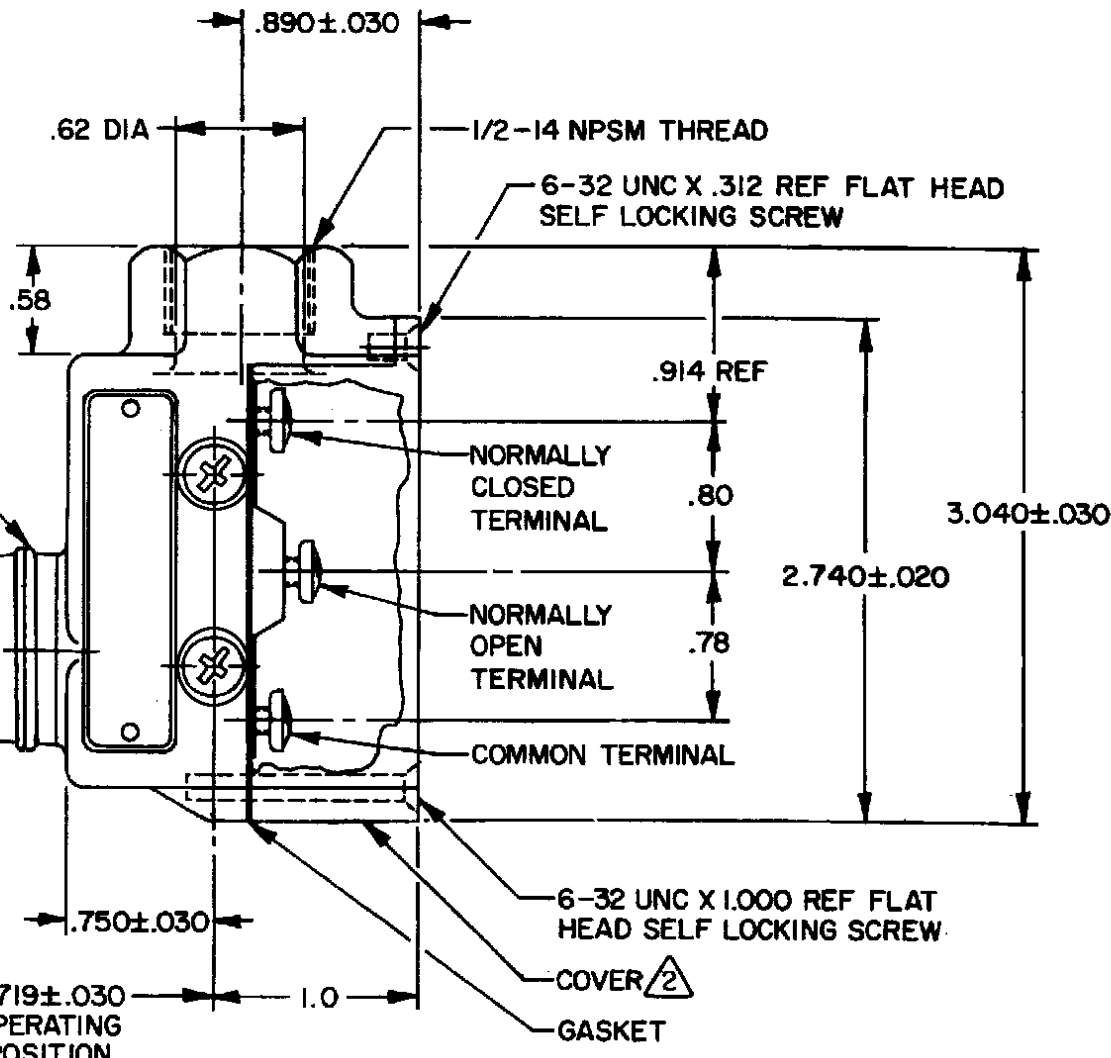
HARDENED STEEL PLUNGER

.33 DIA

.47 SPHERICAL R

.078 MAX PRETRAVEL

1.719±.030 OPERATING POSITION



NOTES

- 1 - 6-32 UNC X .219 REF BINDING HEAD TERMINAL SCREW AND CUPWASHER (3) FURNISHED UNASSEMBLED
- 3 - SEAL RATING: NEMA1,3,4 IP66